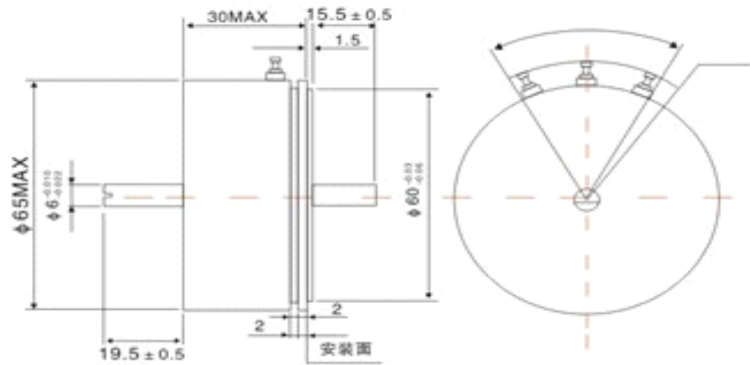


# MINOR® 角位移傳感器 WDA-D65-SA



### 详细说明: Detailed description:

标准阻值 Standard resistance	独立线性 Independent linearity	机械角度 Mechanical angle	有效角度 Active angle	使用寿命 Operating life
1-5kΩ	0.1%~0.05%	360°	345°	50x10 <sup>6</sup>
可选择 ≤10kΩ Optional ≤10K ohm	可选择应用 Option on request		可供特需角度 Optional angle	总阻变化 ≤10% Resis. change ≤10%

Standard resistance	Independent linearity	Mechanical angle	Active angle	Operating life
1,2,3,5K ohm	≤1%~≤0.1%	360°	90° 180° 345°	50×10 <sup>6</sup>
Optional ≤10KΩ	Option on request		Optional angle	Resis.change ≤10%

Rotary potentiometer of WDA-D65-SA is used for the measurement of angle. With the help of conductive plastic resistance track and multi-fingered precious metal wipers, the product could run glidingly with low noise output.

Technical Specification	
Effective electrical angle	345°
Total resistance	1,2,3,5KΩ
Resistance tolerance	±20%
Independent linearity	±1%(±0.5%)
Rated power	1W/70°
Output smoothness	±0.1%
Insulation resistance	DC500V 100MΩ
Withstand voltage	AC500V/1min
Mechanical angle	360°
Rotational torque	20 × 10 <sup>-4</sup> N.M
Weight	60g
Operation temp range	-140
Vibration	98m/s <sup>2</sup> (10G)500Hz
Shock	490m/s <sup>2</sup> (50G)11ms
Rotational life	50 × 10 <sup>6</sup> cycles