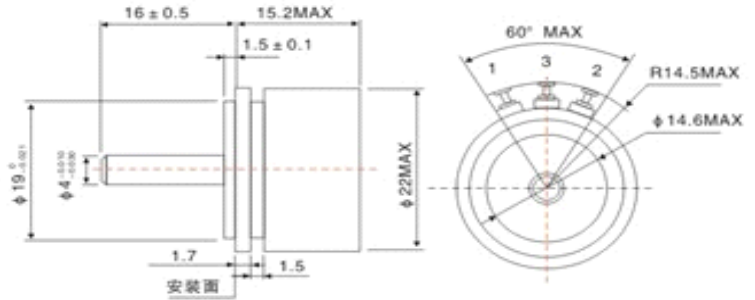


MINOR 角位移传感器 WDA-D22-S



详细说明: Detailed description:

标准阻值 Standard resistance	独立线性 Independent linearity	机械角度 Mechanical angle	有效角度 Active angle	使用寿命 Operating life
1; 2; 3; 5kΩ	≤1%~0.3%	360°	90°;180°;320°	20x10 ⁶
最大:5kΩ, ±5% Maximum:5kΩ, ±5%	可选择应用 Option on request		可供特需角度 Optional angle	总阻变化 ≤10% Resis.change ≤10%

Standard resistance	Independent linearity	Mechanical angle	Active angle	Operating life
1,2,5,10K ohm	≤1%~≤0.3%	360°	90° 180° 320°	20×10 ⁶
Max:20KΩ, ±5%	Option on request		Optional angle	Resis.change≤10%

Rotary potentiometer of WDA-D22-S is used for the measurement of angle. With the help of conductive plastic resistance track and multi-fingered precious metal wipers, the product could run glidingly with low noise output.

Technical Specification

Effective electrical angle	320°
Total resistance	1,5,20KΩ
Resistance tolerance	±20%
Independent linearity	±1%(±0.5%)
Rated power	1W/70°
Output smoothness	±0.1%
Insulation resistance	DC500V 100MΩ
Withstand voltage	AC500V/1min
Mechanical angle	360°
Rotational torque	20*10 ⁻⁴ N.M
Weight	15g
Operation temp range	-140
Vibration	98m/s ² (10G)500Hz
Shoce	490m/s ² (50G)11ms
Rotational life	20*10 ⁶ cycles