

KDC-33 Hinged Series



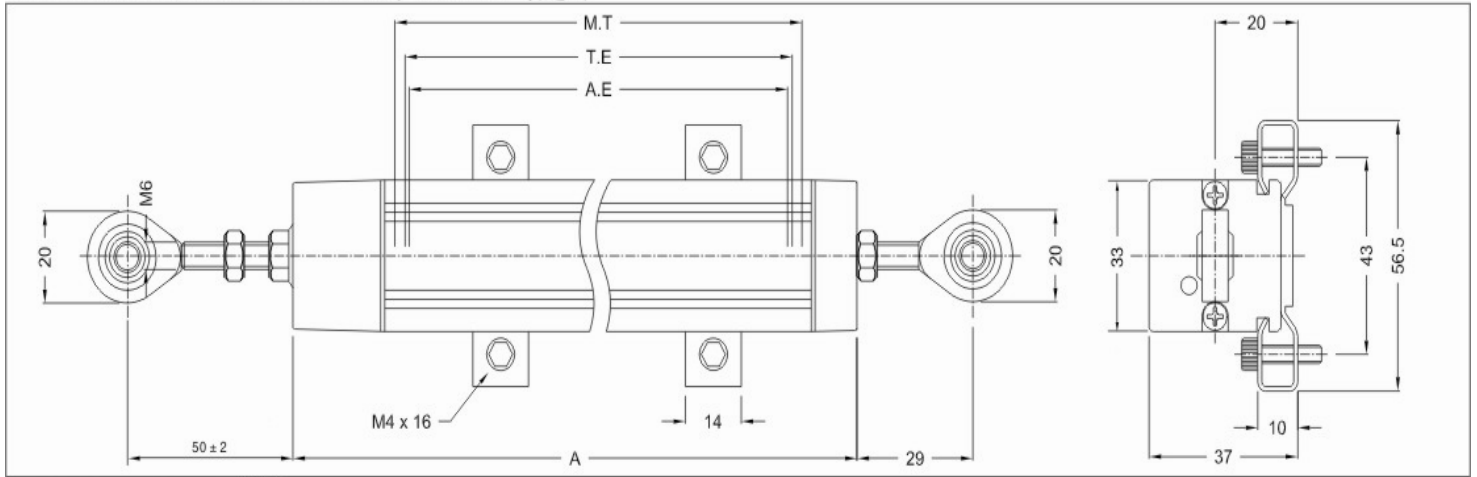
Built-in signal processing,
 Joint bearings; Stroke range: 0-1250mm,
 Analog output: 0-5V, 0-10V, 4-20mA,
 Both ends with ball coupling installation.
 Apply to large mechanical travel and
 swing position detection, without any
 requirement on the installation of the
 neutral. Such as robot, brick machine,
 ceramic machine, sluice controlling etc

KDC-33 Hinged Series	mm	75	100	125	150	175	200	225	250	275	300	325	350	375	400	425
Total Electrical Travel (T.E)	mm	80	105	130	155	180	205	230	255	280	305	330	355	380	405	430
Active Electrical Travel (A.E)	mm	75	100	125	150	175	200	225	250	275	300	325	350	375	400	425
Resistance Range $\pm 20\%$	k Ω	5.0														
Independent Linearity	$\pm \%$	0.05														
Mechanical Travel (M.T)	mm	83	108	133	158	183	208	233	258	283	308	333	358	383	408	433
Output		Voltage Divider														
Resolution		Infinite														
Operating Temperature	C°	-50 + 120														
Dimensions A	mm	154	179	204	229	254	279	304	329	354	379	404	429	454	479	504

KDC-33 Hinged Series	mm	450	475	500	550	600	650	700	750	800	850	900	950	1000	1150	1250
Total Electrical Travel (T.E)	mm	455	480	505	555	605	655	705	755	805	855	905	955	1005	1155	1255
Active Electrical Travel (A.E)	mm	450	475	500	550	600	650	700	750	800	850	900	950	1000	1150	1250
Resistance Range $\pm 20\%$	k Ω	10.0														
Independent Linearity	$\pm \%$	0.05														
Mechanical Travel (M.T)	mm	458	483	508	558	608	658	708	758	808	858	908	958	1008	1158	1258
Output		Voltage Divider														
Resolution		Infinite														
Operating Temperature	C°	-50 + 120														
Dimensions A	mm	527	552	577	627	677	727	777	827	877	927	977	1027	1077	1227	1327

Dimensions for reference only and subject to change without prior notice

Mechanical Dimension KDC-33 尺寸 KDC-33 鉸鏈式



Ball Coupling 球鉸

